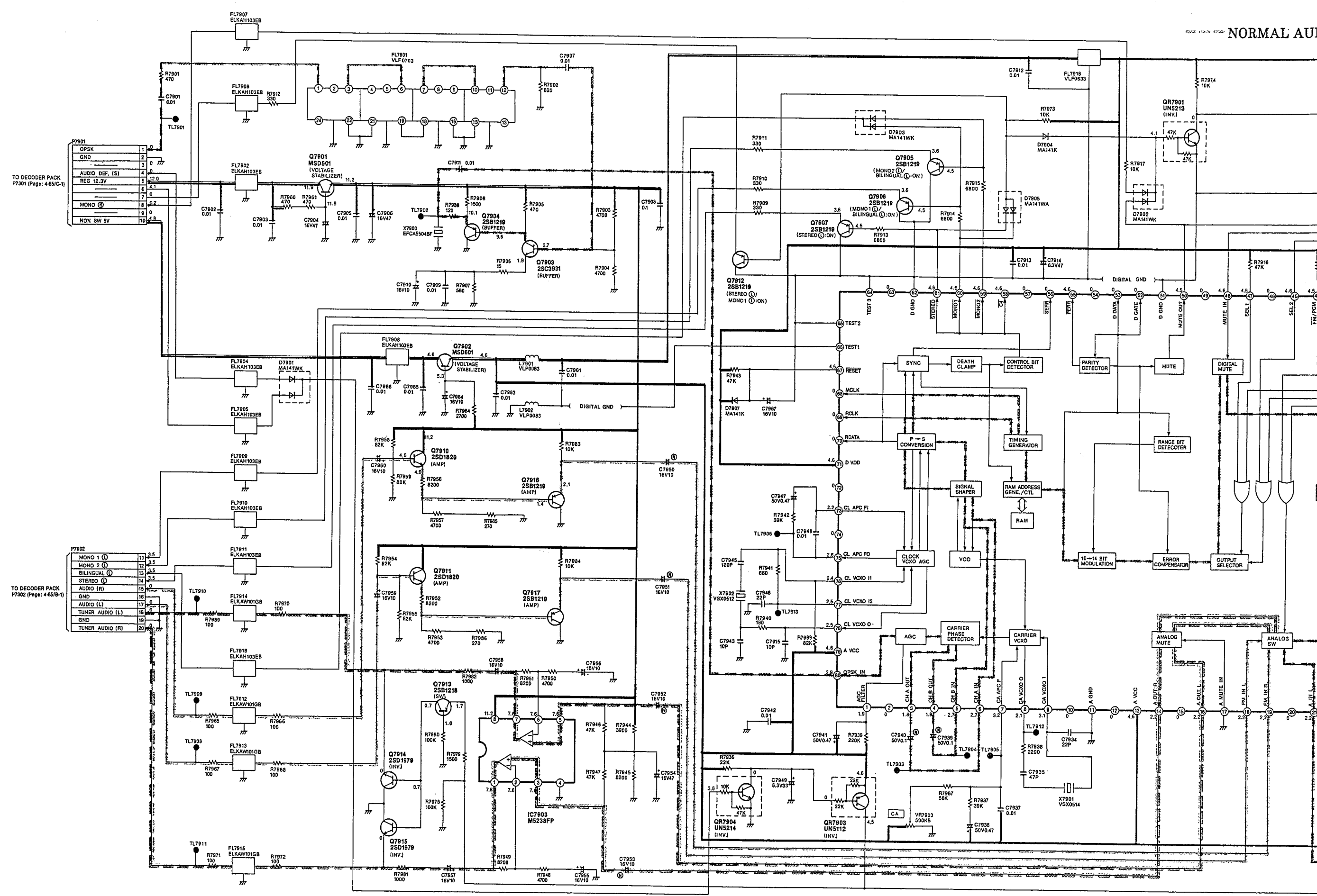


# 4-15. NICAM DECODER SCHEMATIC DIAGRAM (NV-HD77AM)

G  
F  
E  
D  
C  
B  
A



TO DECODER PACK P7801 (Page: 4-65/C-1)

QPSK	1
GND	2
AUDIO DEF. (S)	3
REG 12.3V	4
MONO (M)	5
NON SW 5V	6
	7
	8
	9
	10

TO DECODER PACK P7802 (Page: 4-65/B-1)

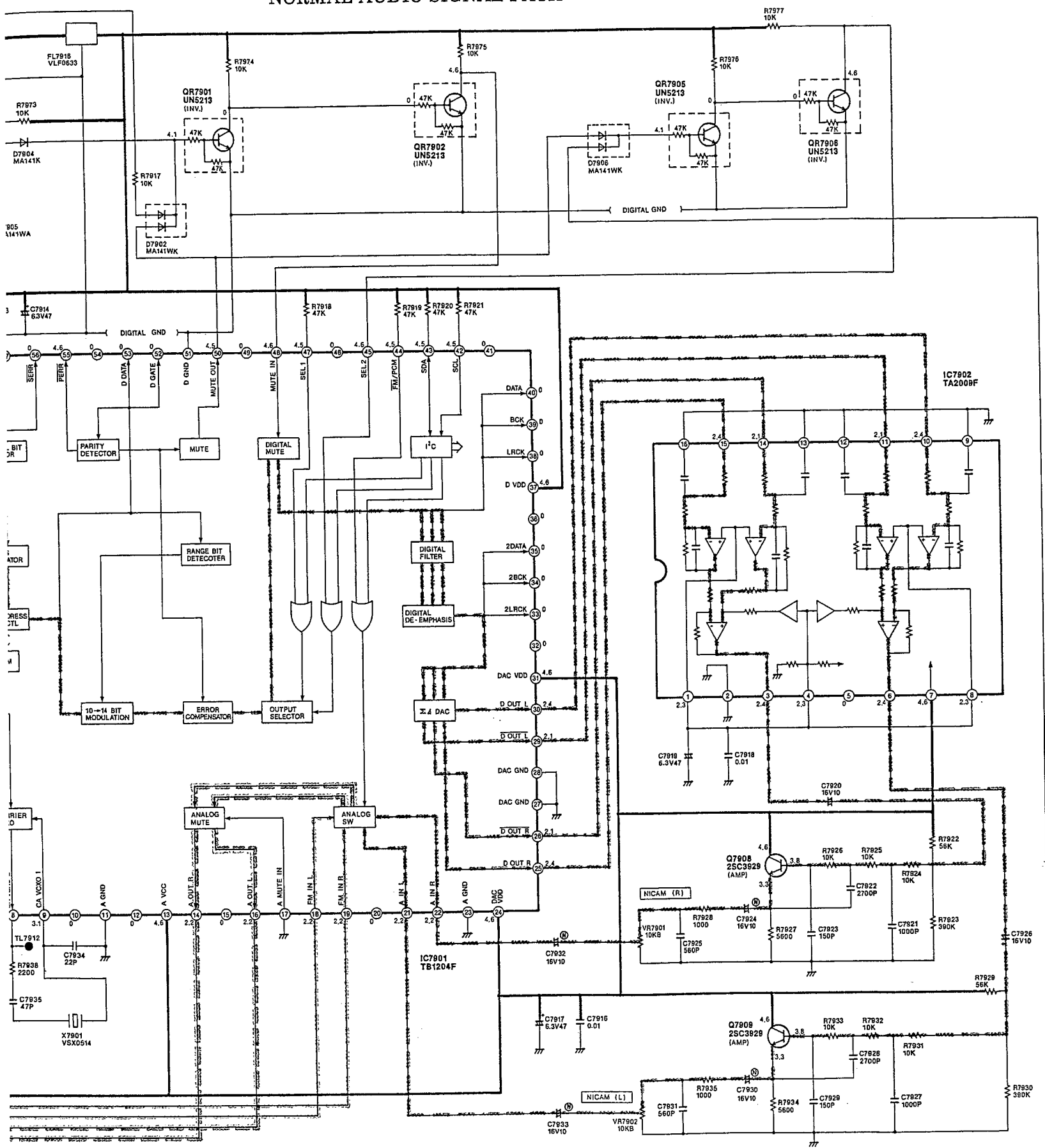
MONO 1 (M)	11
MONO 2 (M)	12
BILINGUAL (B)	13
STEREO (S)	14
AUDIO (R)	15
GND	16
AUDIO (L)	17
TUNER AUDIO (L)	18
GND	19
TUNER AUDIO (R)	20

NORMAL AUDIO

NOTE: THE MEASUREMENT MODE OF THE D

NORMAL AUDIO SIGNAL PATH

NICAM AUDIO SIGNAL PATH



NOTE: THE MEASUREMENT MODE OF THE DC VOLTAGE ON THIS DIAGRAM IS STOP MODE.

NOTE: DO NOT USE ANY PART NUMBER SHOWN ON THIS SCHEMATIC DIAGRAM FOR ORDERING. WHEN YOU ORDER A PART, PLEASE REFER TO PARTS LIST.